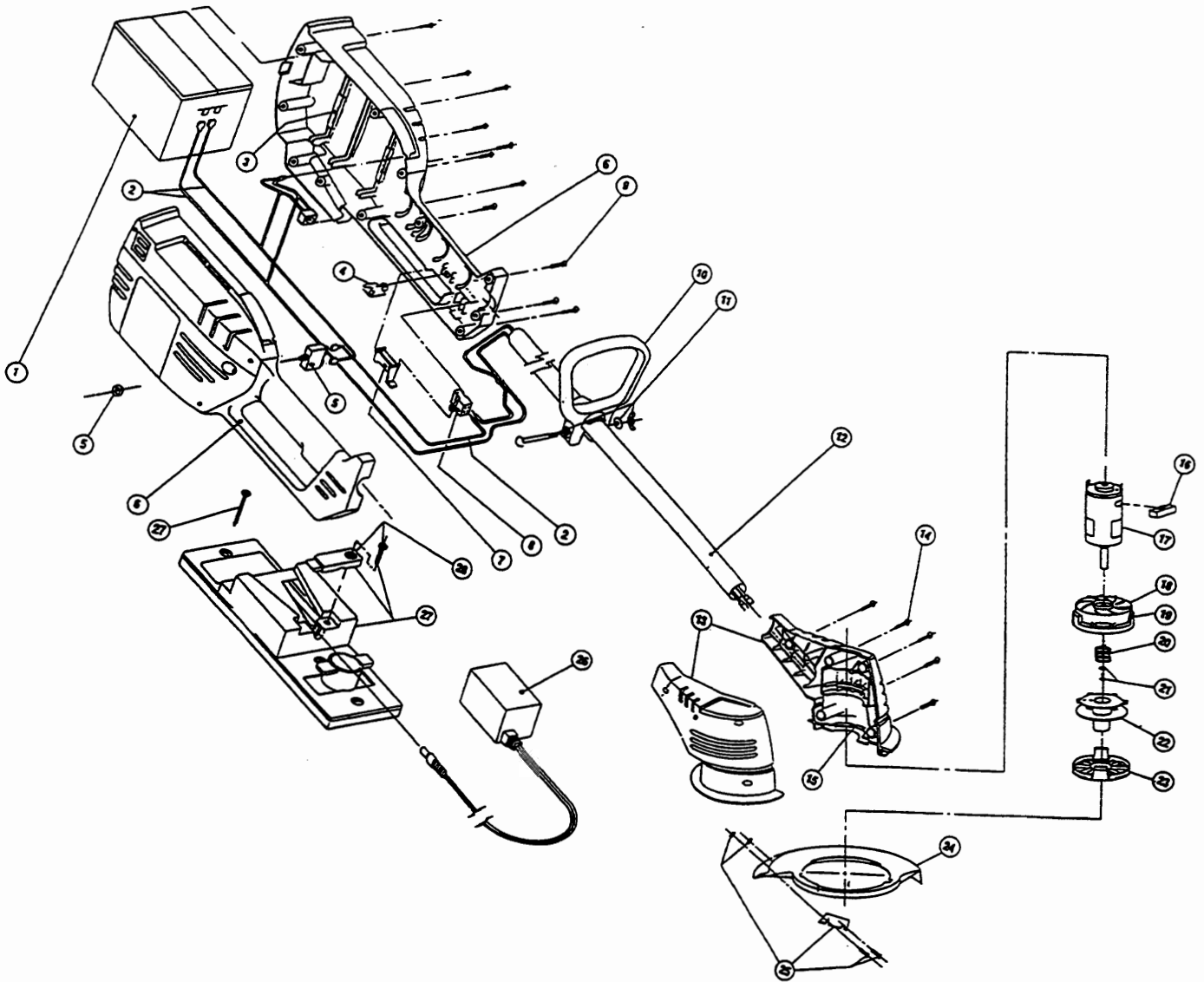


BATTERY TRIMMER PARTS - IDC 150



Item	Part No.	Description
1	180361	Battery
2	180362	Wiring Harness Assembly
3	180363	Battery Cushion Set (qty. 5)
4	180364	Safety Release Switch
5	180365	Thermal Overload Switch
6	180366	Battery Housing W/Out Decals
7	180151	Trigger
8	180150	Switch
9	180300	Housing Screw Set (qty. 11)
10	145819	D-Handle
11	153523	D-Handle Hardware
12	180367	Boom Assembly
13	180368	Motor Housing
14	180300	Housing Screw Set
15	180369	Motor Supports (qty. 3)
16	180370	Anti-Rotation Block
17	180371	Motor

Item	Part No.	Description
18	180372	Outer Spool and Eyelet (includes item 19)
19	180373	Eyelet
20	180374	Spring
21	180375	Screw and Washer
22	180292	Inner Reel and .065 Line (15 ft.)
23	180376	Reel Cover
24	180293	Guard and Blade Assembly (includes item 25)
25	180377	Blade Assembly
26	180294	Battery Charger
27	180295	Wall Station Assembly
28	180378	Wall Station Clamp and Screw
*	180379	Battery Housing Decal Set
*	180117	Monofil Cutting Line (50 ft.)
*	180327	Cutting Head Assembly (includes items 18-23)
*		not shown

The above part numbers are for serial numbers 203104731 and greater.